



## SQH2410S SERIES ~ Low Profile SMD Power Inductors

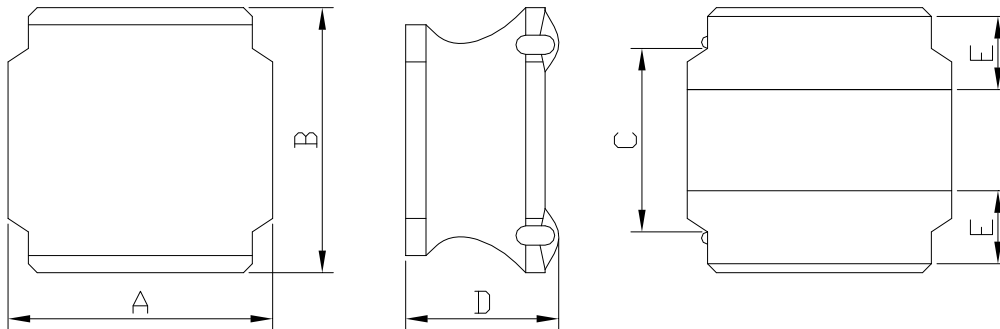


### PART NUMBERING SYSTEM

<b>SQH</b>	<b>2410S</b>	—	<b>100M</b>	—	<b>LF</b>
TYPE	DIMENSIONS		INDUCTANCE		LEAD FREE

### SHAPES AND DIMENSIONS

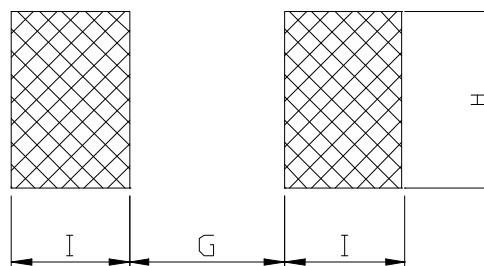
UNIT : mm



A=2.5 Max. B=2.5 Max. C=1.45±0.2 D=1.0 Max. E=0.6±0.2

### RECOMMENDED PATTERNS

UNIT : mm



G= 0.75 H= 2.00 I = 0.70

### FEATURES

- \* Low profile and small inductors ( 3.1mm Max. square and 1.0mm Max. height )
- \* Magnetically shielded construction and high current
- \* Ideal for DC-DC converter choke coil for portable equipments ( DVDs , DSC , Cellular , PDAs )
- \* RoHS compliant option with lead free



## SQH2410S SERIES ~ Low Profile SMD Power Inductors



### SPECIFICATION TABLE

PART NUMBER	INDUCTANCE ( $\mu$ H)	DCR ( $\Omega$ ) (Max.)	Isat (mA) (Max.)	Irms (mA) (Max.)	SRF(MHz) (Min.)
SQH2410S-R68N-LF	0.68 $\pm$ 30%	0.072	2200	1570	120
SQH2410S-1R0N-LF	1.0 $\pm$ 30%	0.084	1800	1410	106
SQH2410S-1R5M-LF	1.5 $\pm$ 20%	0.132	1550	1160	94
SQH2410S-2R2M-LF	2.2 $\pm$ 20%	0.180	1290	970	77
SQH2410S-3R3M-LF	3.3 $\pm$ 20%	0.264	1000	770	56
SQH2410S-4R7M-LF	4.7 $\pm$ 20%	0.348	880	670	50
SQH2410S-6R8M-LF	6.8 $\pm$ 20%	0.492	750	570	43
SQH2410S-100M-LF	10 $\pm$ 20%	0.828	550	450	32
SQH2410S-150M-LF	15 $\pm$ 20%	1.224	470	370	27
SQH2410S-220M-LF	22 $\pm$ 20%	1.764	390	300	22

- Test Frequency at 100KHz / 1V .
- Isat : DC current at which the inductance drops 30%(typ) from its value without current.
- Irms : The temperature rise current value is the DC current value having temperature increase up 40°C temperature rise from 25°C ambient.
- Operating temperature range -40°C to +105°C , Electrical specifications at 25°C .